

4

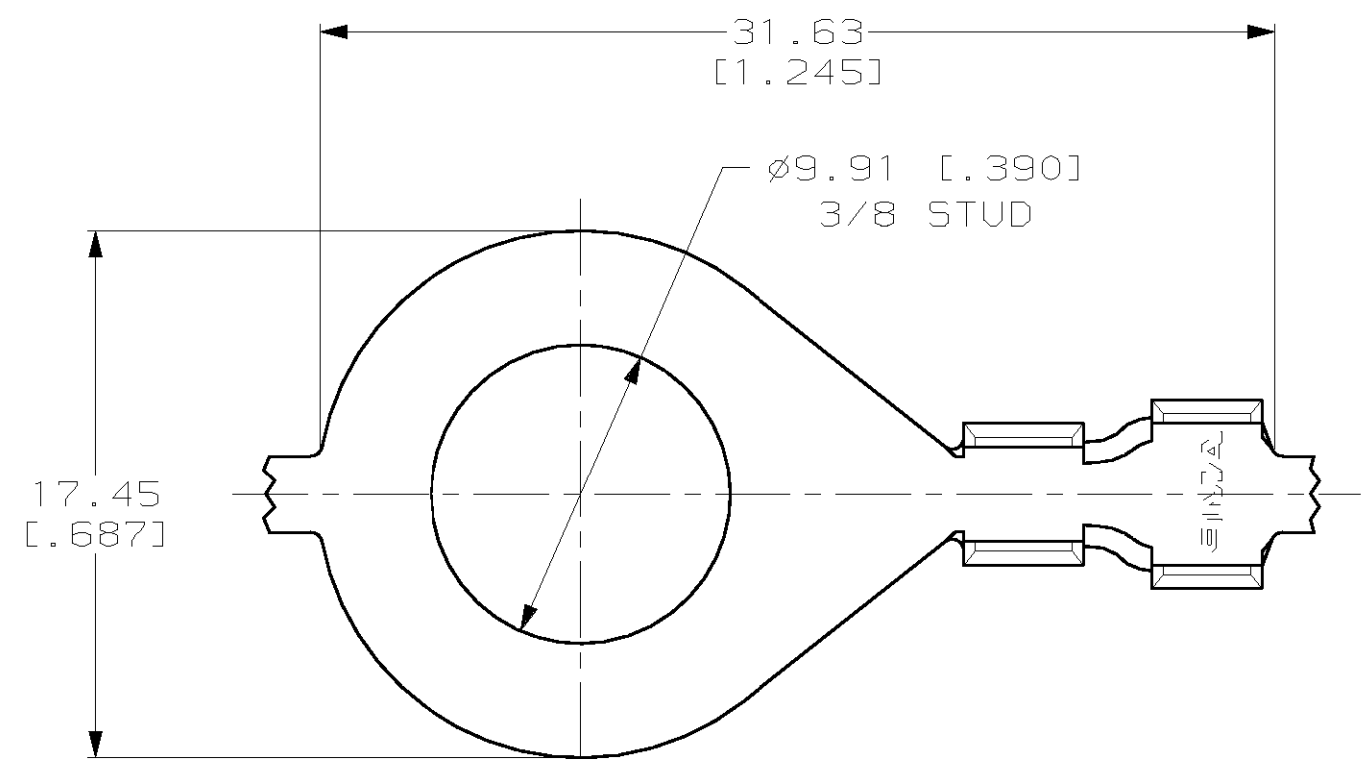
3

2

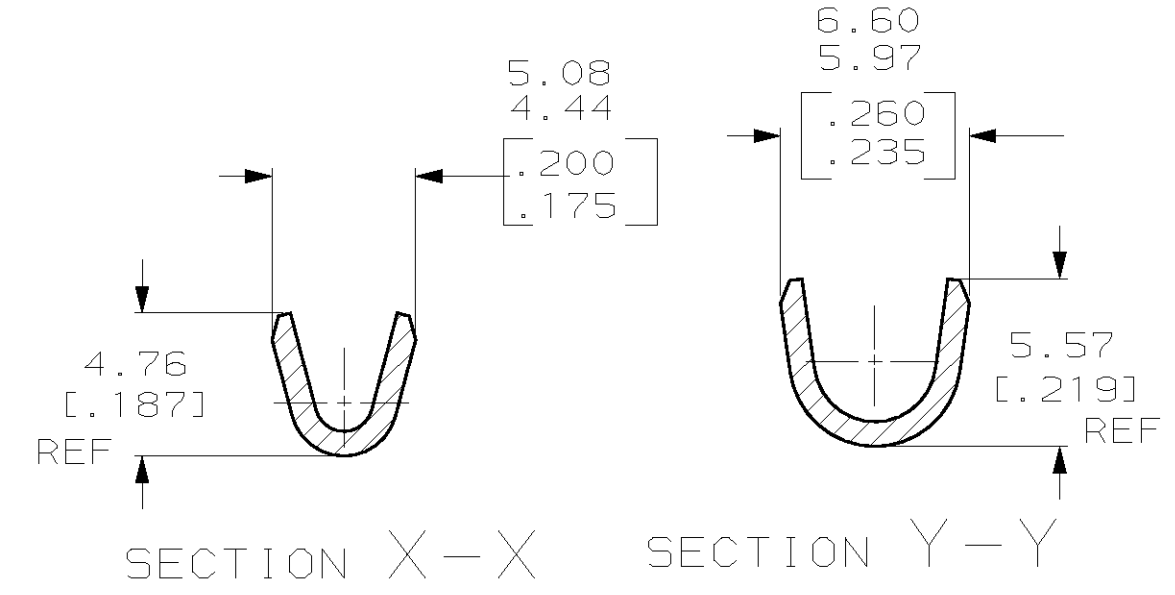
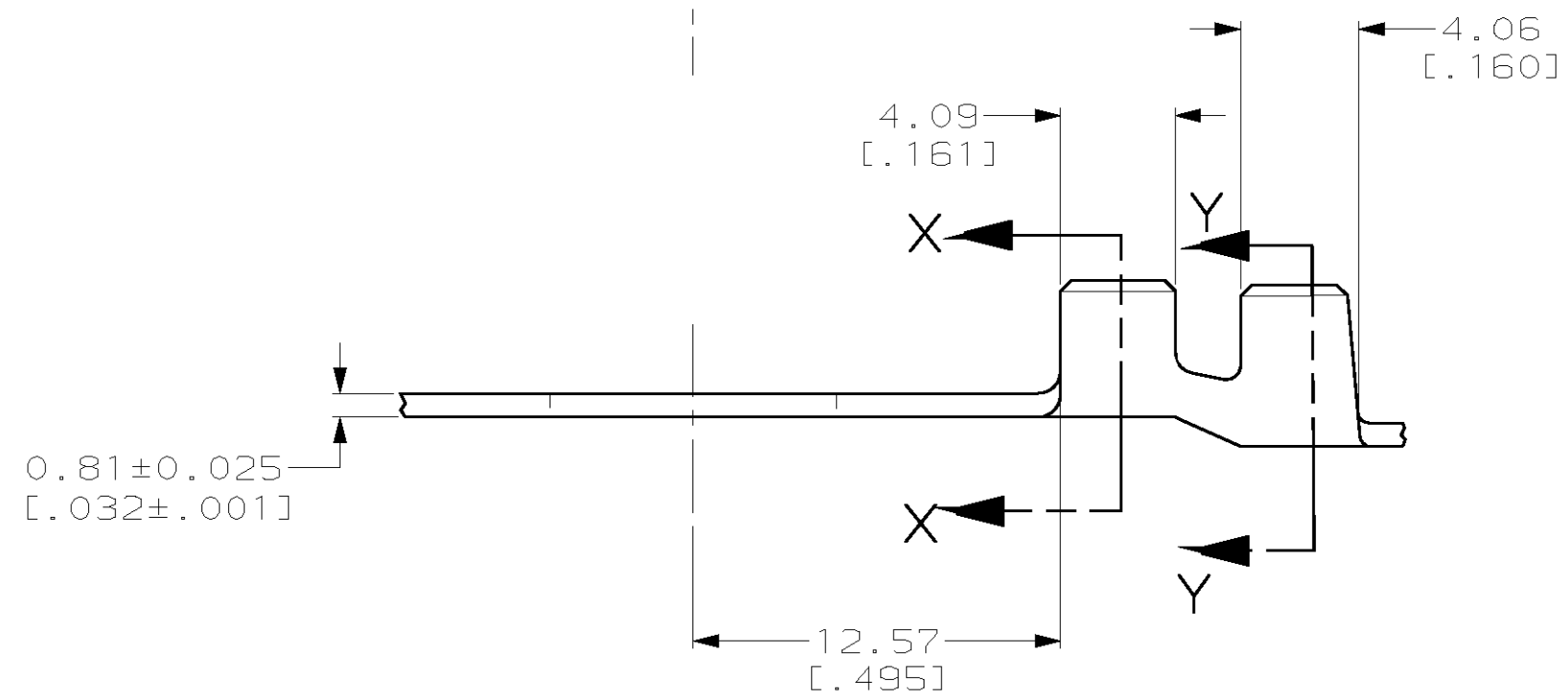
1

THIS DRAWING IS UNPUBLISHED. RELEASED FOR PUBLICATION .19 .
 © COPYRIGHT 19 BY AMP INCORPORATED. ALL RIGHTS RESERVED.

LOC	DIST	REVISIONS			
P	LTR	DESCRIPTION	DATE	DWN	APVD
AF	50	A	REL PER 063A-0118-00	02MAR00	JR DD



- 1 CONTINUOUS STRIP ON REELS.
- 2 WIRE SIZE IS [#16-#14] AWG.
- 3 INSULATION RANGE IS 3.05-4.57 [.120-.180] DIA.
- △ 4 PREPRODUCTION - FASR REQUIRED



△ 1217330-1
PART NO.

THIS DRAWING IS A CONTROLLED DOCUMENT.		DWN JR RUTH 09FEB00	AMP AMP Incorporated Harrisburg, PA 17105-3608
DIMENSIONS: MM [INCHES]		CHK MS FEHER 09FEB00	
TOLERANCES UNLESS OTHERWISE SPECIFIED:		APVD D DECKER 09FEB00	NAME
0 PLC ±-		PRODUCT SPEC	RING TONGUE
1 PLC ±-		APPLICATION SPEC	
2 PLC ±0.25 [.010]		WEIGHT	SIZE CAGE CODE DRAWING NO RESTRICTED TO
3 PLC ±-		MATERIAL 082 BRASS	A3 00779 C- 1217330
4 PLC ±-			CUSTOMER DRAWING
FINISH .002032 [.000080] MIN TIN		SCALE 4:1	SHEET 1 OF 1 REV A